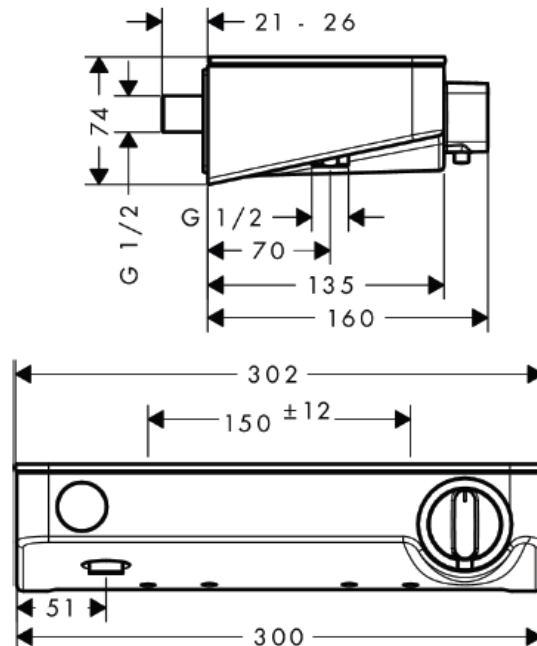


## SPECIFICATION SHEET - fittings

<b>BRAND:</b>	<b>hansgrohe</b>	<b>Product Photo:</b>  
<b>ORIGIN:</b>	Germany	
<b>SERIES:</b>	<b>ShowerTablet Select 300</b>	
<b>PRODUCT DESCRIPTION:</b>	Exposed thermostatic shower mixer with bottom outlet 1/2" for shower hose, with safety glass shelf chrome coating • Flow rate: 30 l/min. at 3 bar • Flow pressure: 1~5 bar (15~70 psi)	
<b>MODEL No.</b>	13171 000 / 13171 400	
<b>FINISH/COLOUR:</b>	Chrome-plated / White / Chrome	
<b>DIMENSIONS:</b>	160mm L x 302mm W x 74mm H	
<b>OPTIONAL MATCHING PARTS:</b>		

**Technical Informations:** Suitable for continous flow water heater



<b>REMINDER:</b>	Pipe flushing must be done before faucets are installed. Failure to do so voids the warranty.
	Do not use cleaners containing abrasive cleansers, ammonia, bleach, acids, waxes, alcohol, solvents or other products not recommended for chrome.
	All information is for reference only, installation shall always be based on the actual product delivered.